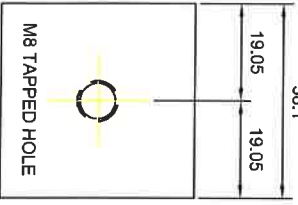
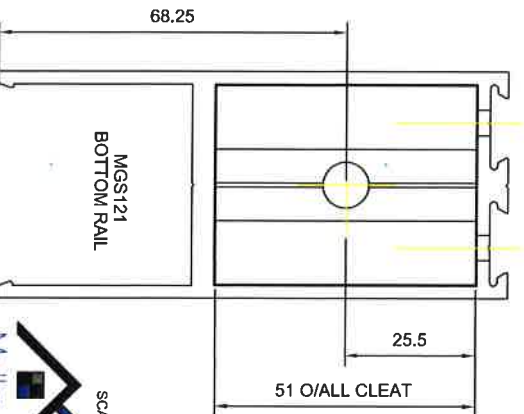
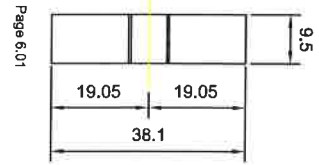
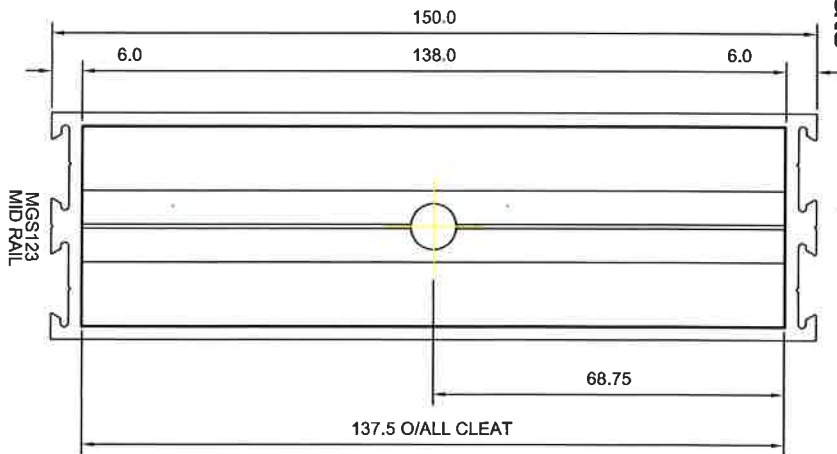
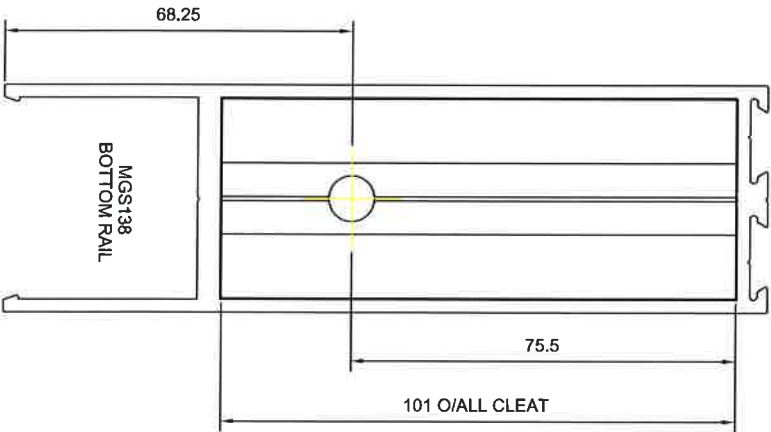
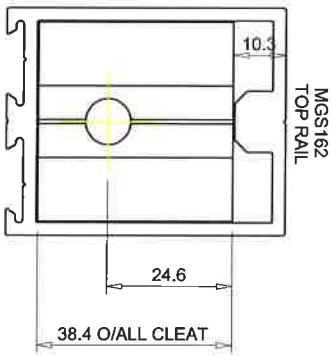
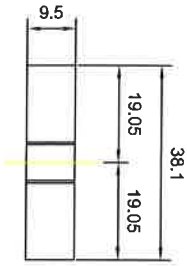
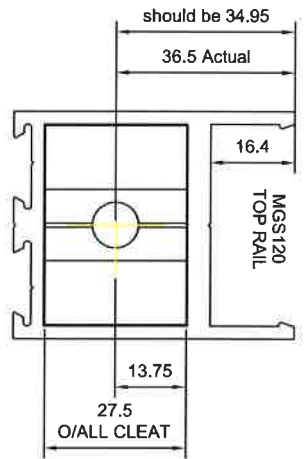
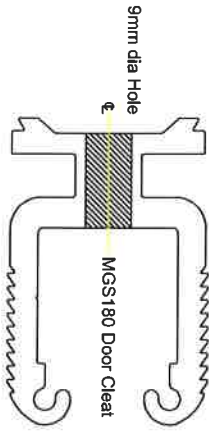
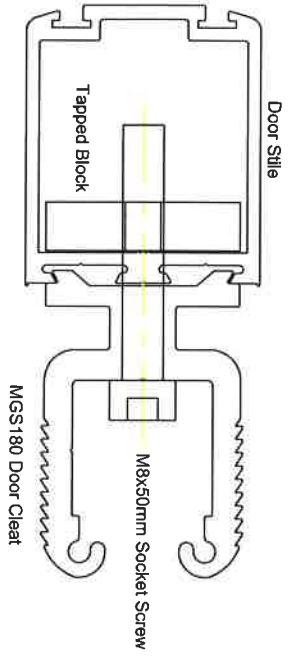


*SECTION*

6

*FABRICATION DETAILS*

# Prep Details - Series 100 - Door Stiles - MGS180 Cleats

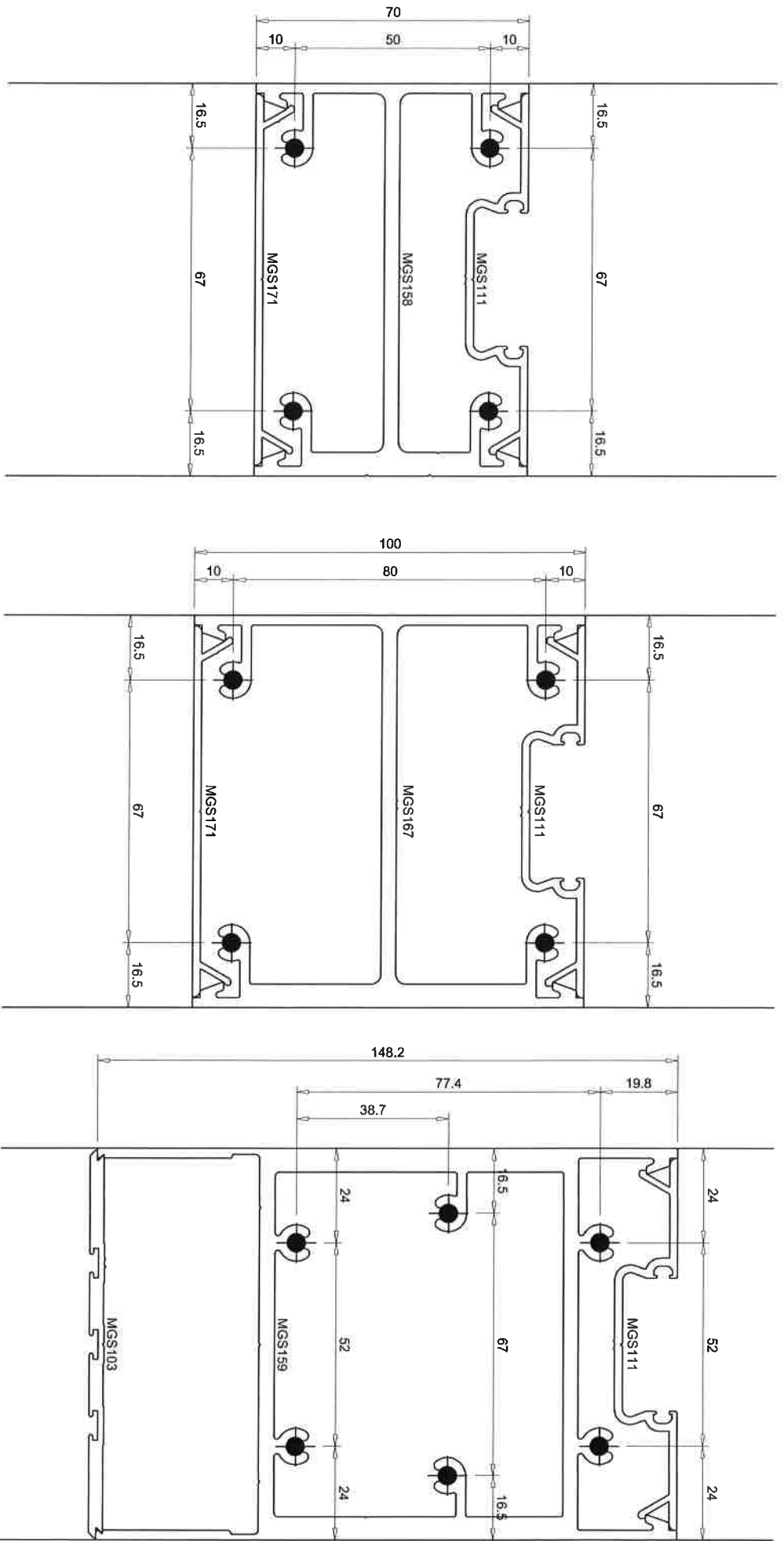


Issue 01:- November 2015.

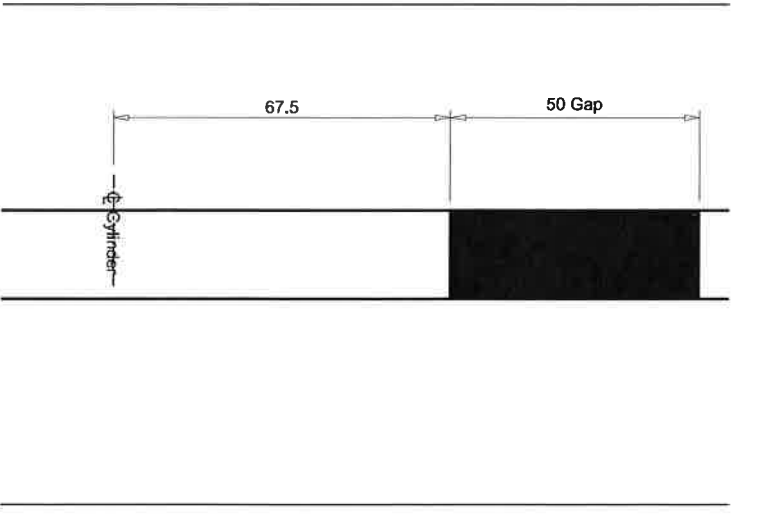
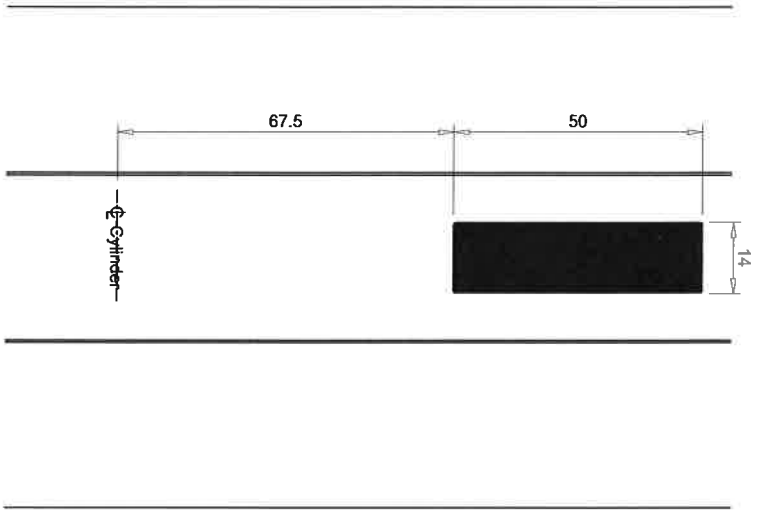
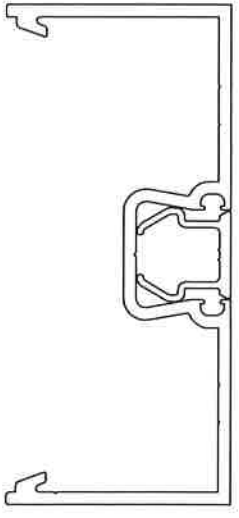
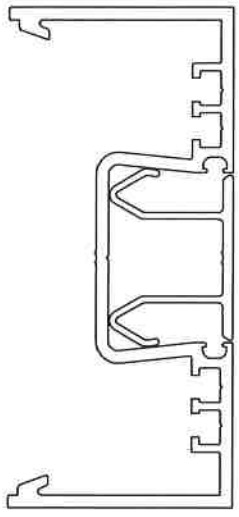
Page 6.01

© This drawing sheet is issued subject to the condition that it is not to be reproduced without the consent of Midland Glass Solutions Ltd

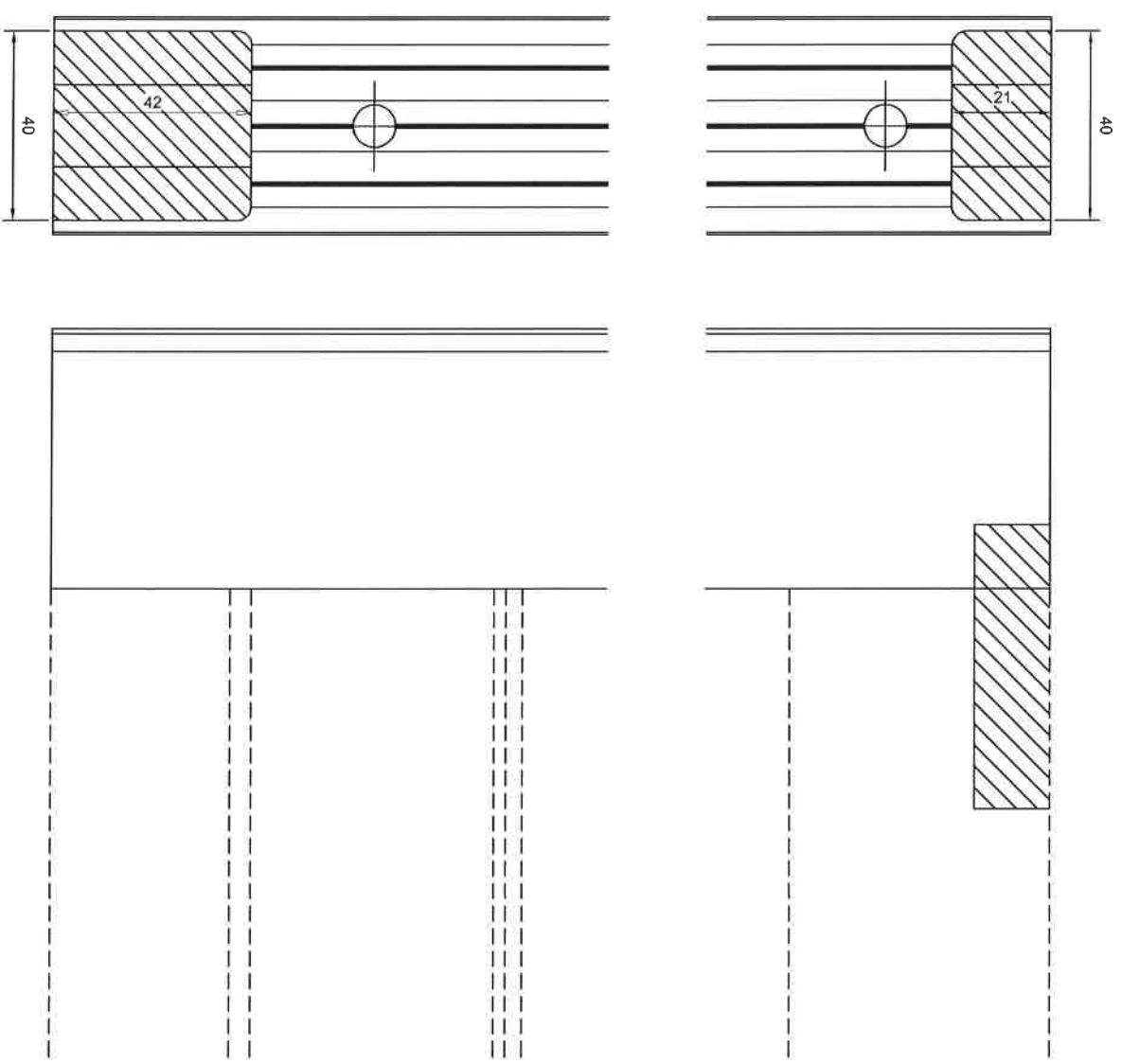
# Prep Details - Series 100 - Auto Door Beams



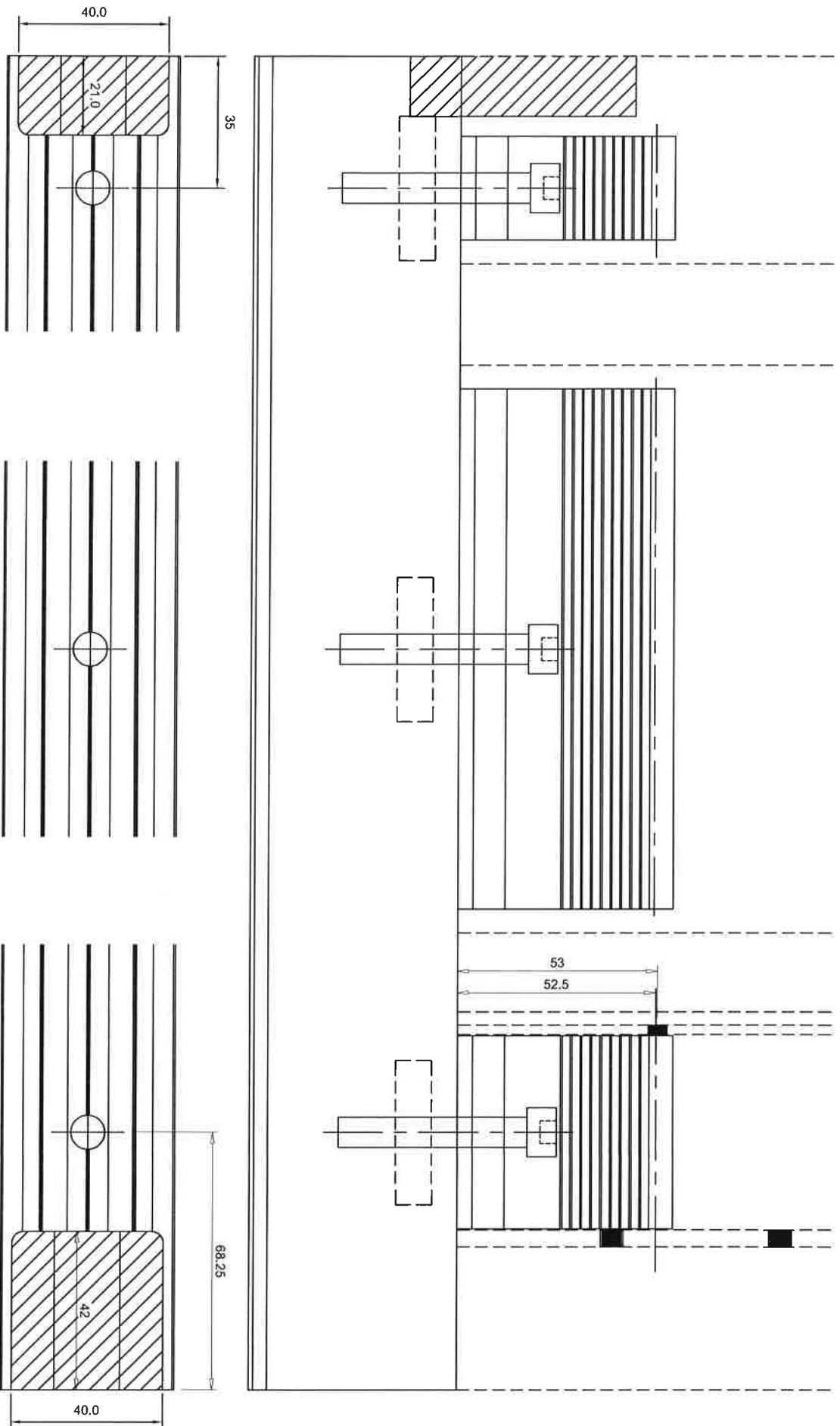
# Prep Details - Series 100 - Lock Cut-outs



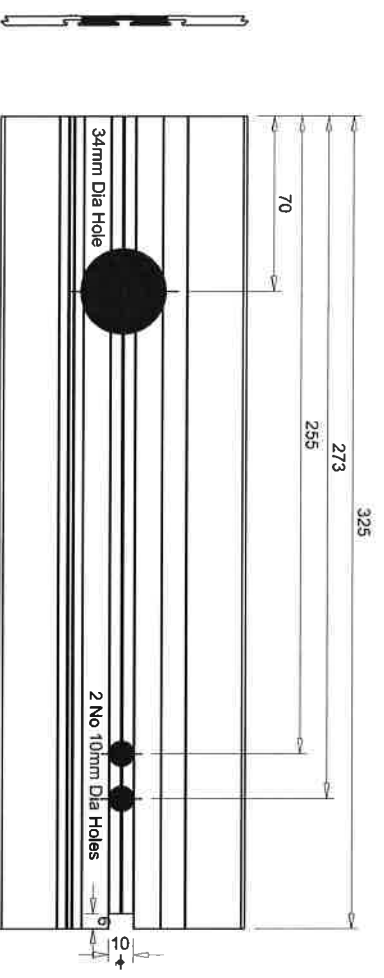
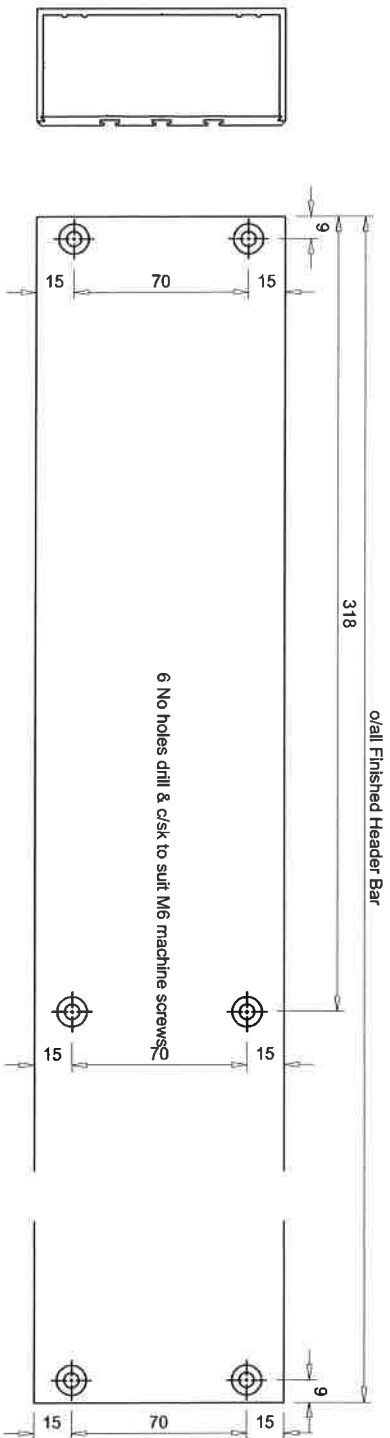
# Prep Details - Series 100 - Top and Bottom Notches to Door Stiles



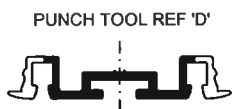
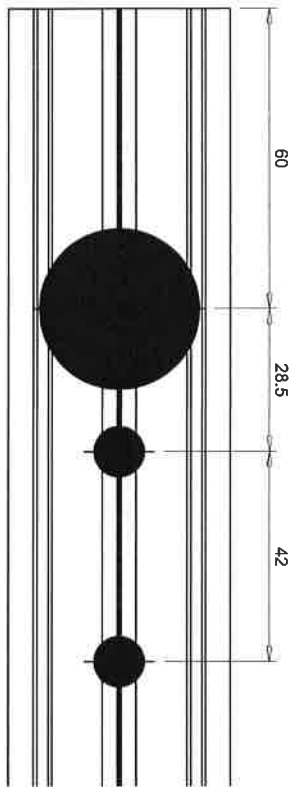
# Prep Details - Series 100 - Door Cleat Options



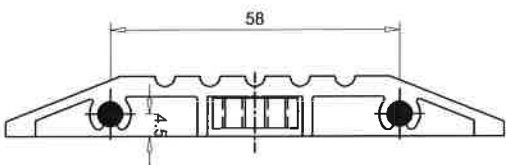
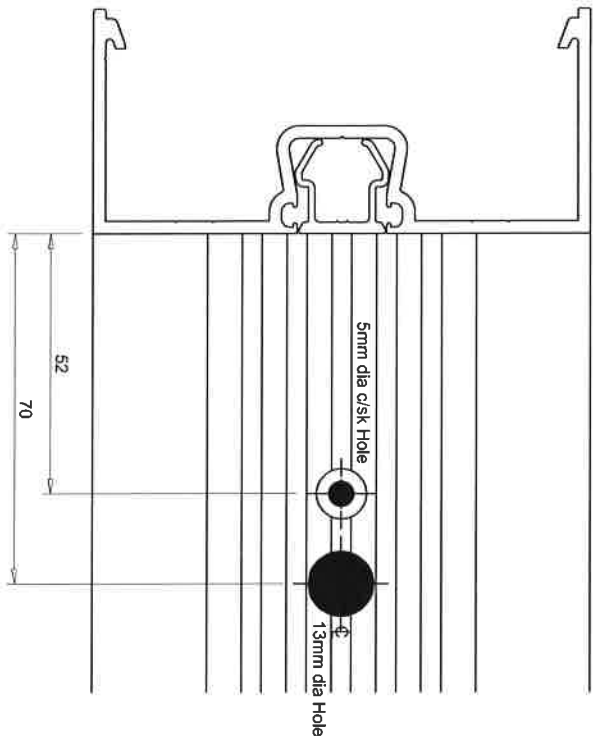
# Prep Details - Series 100 - Concealed Overhead Closure



# Prep Details - Series 100 - Bottom Pivot

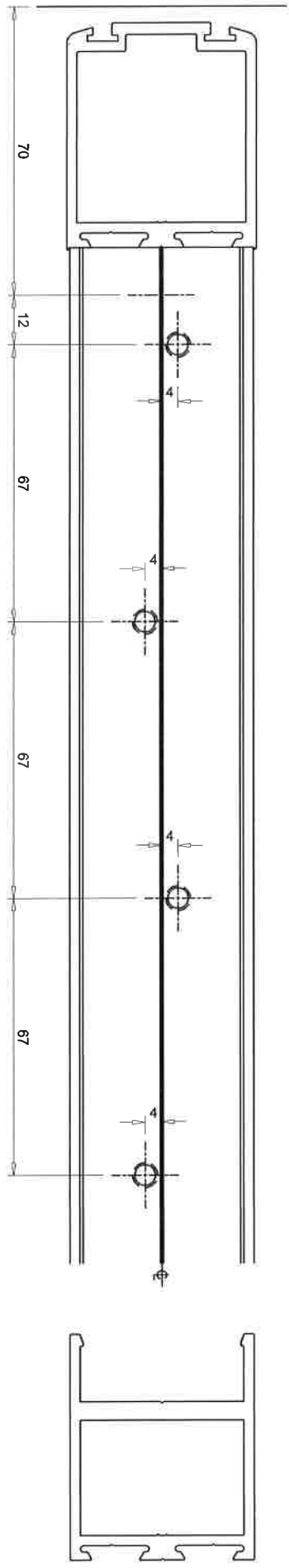


MGS128

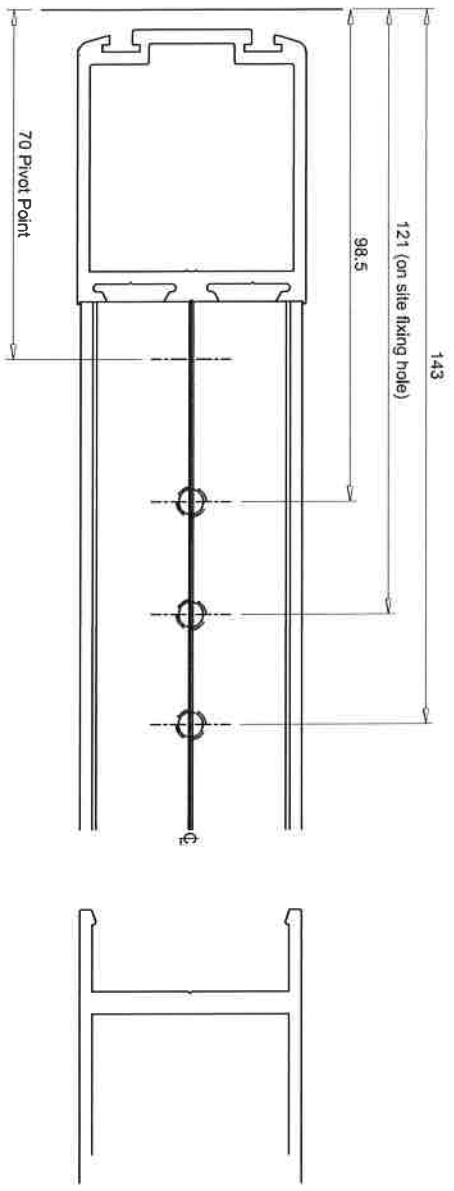




# Prep Details - Series 100 - Top and Bottom Rails for Concealed Closures

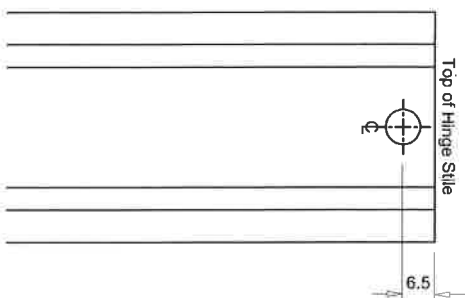


Preparation Details - MGS120 Top Rail - Side-Load Top Arm & Channel - 70mm Pivot Point

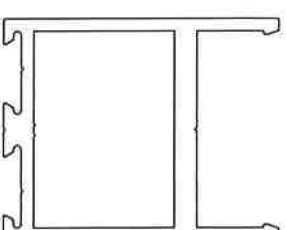
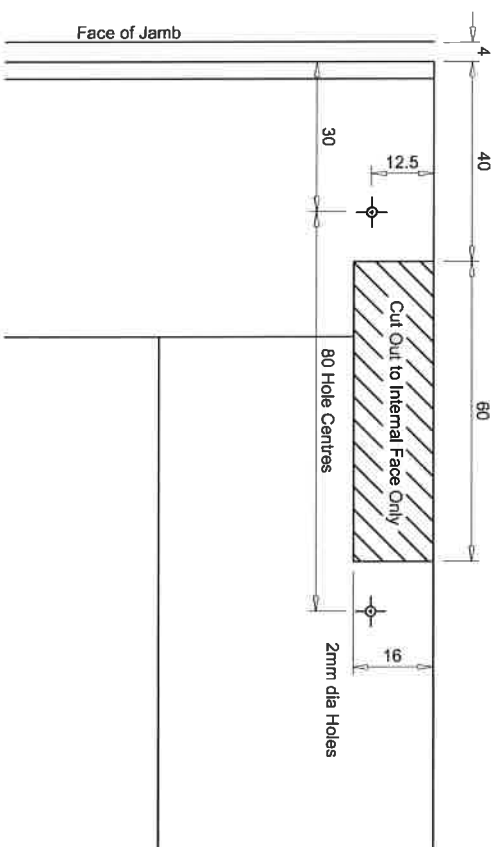


Preparation Details - MGS121 Bottom Rail - Side-Load Bottom Pivot - 70mm Pivot Point

# Prep Details - Series 100 - Top Notch for Nameplate

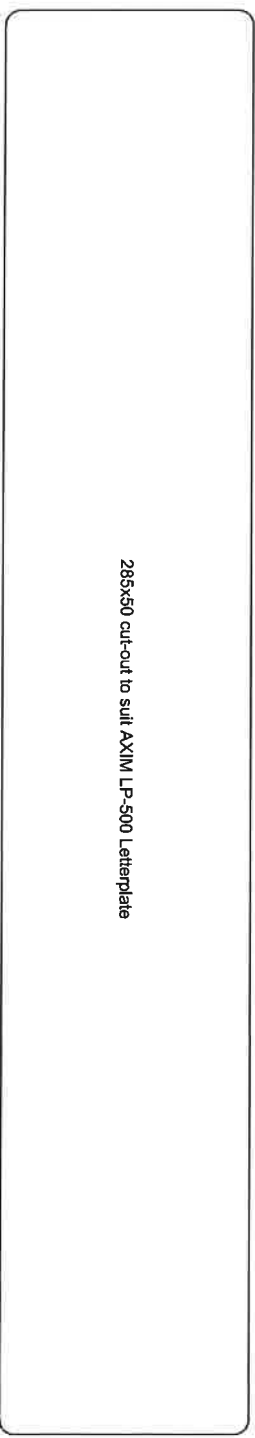
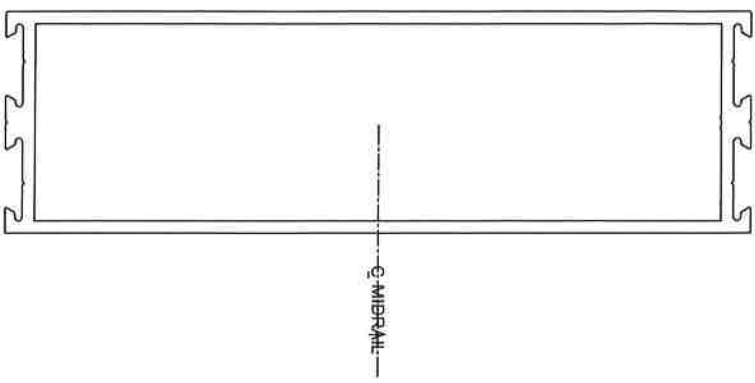


Access Hole For Adjustment

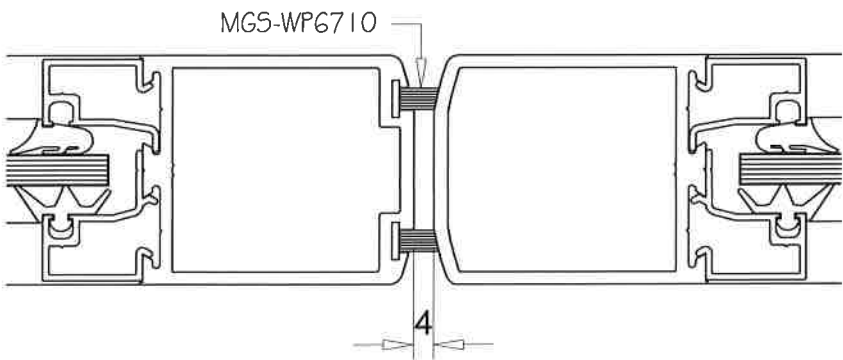
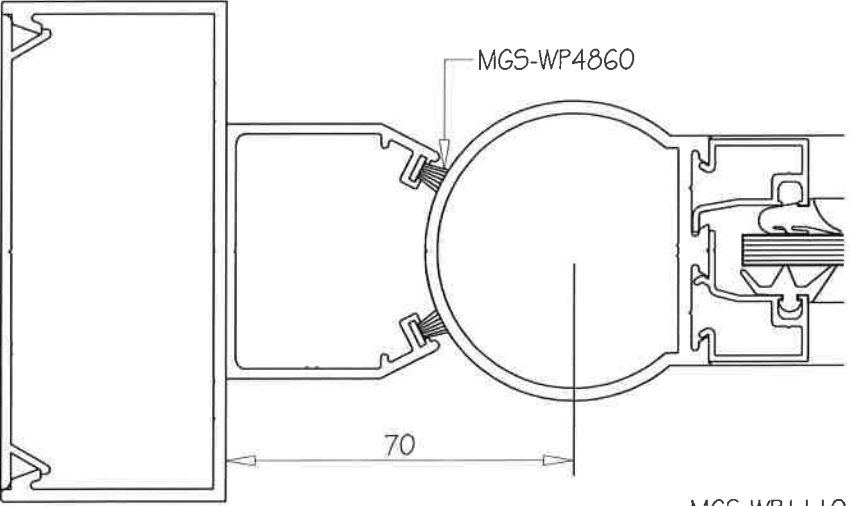
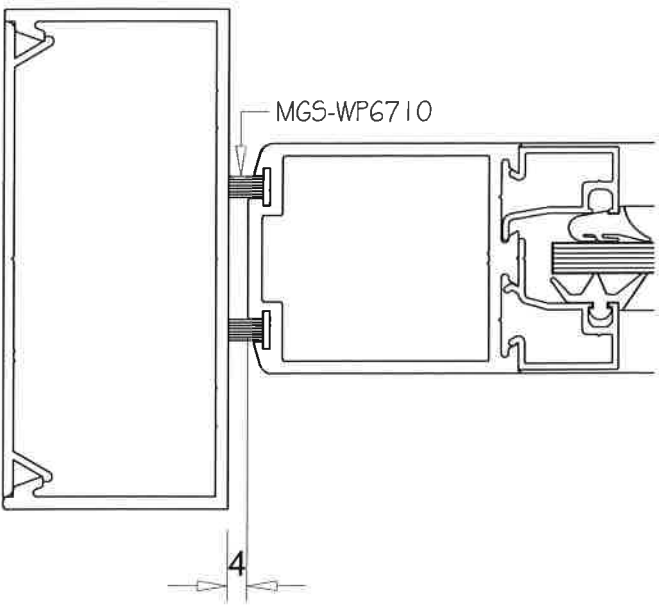
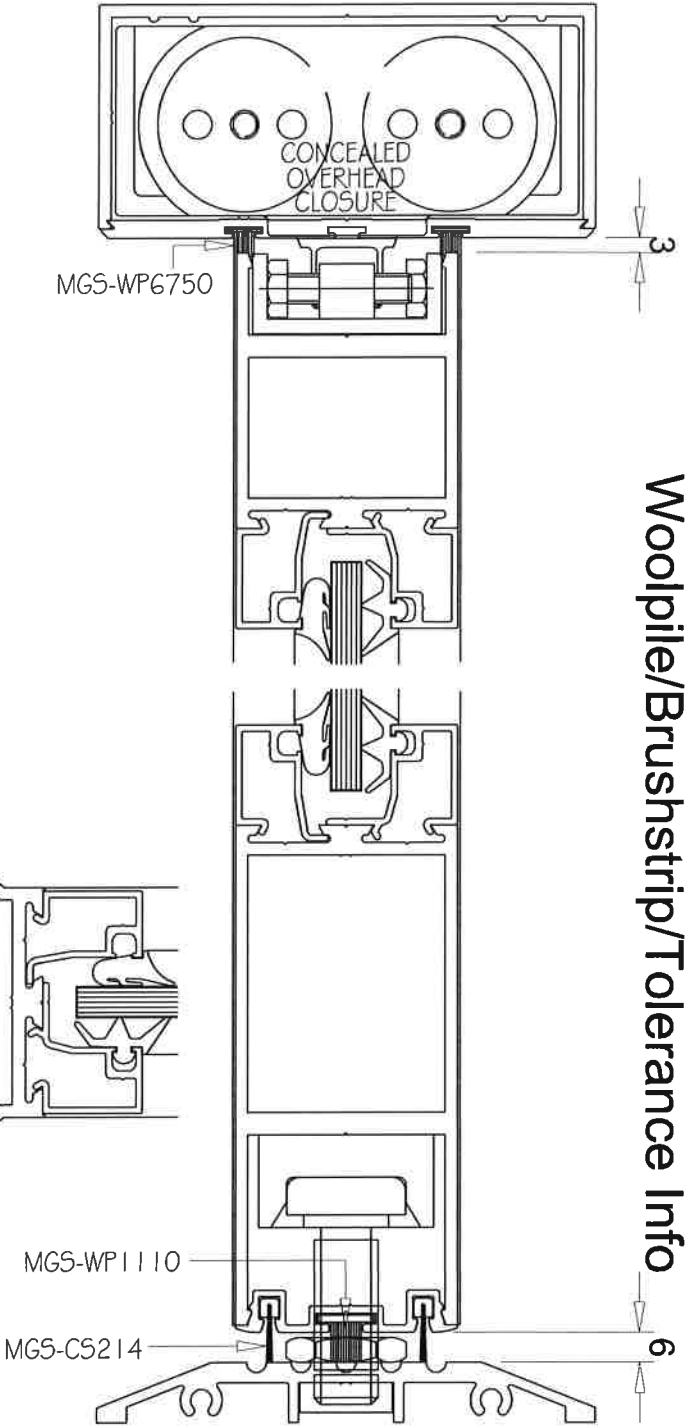


## Preparation Details - For Nameplates

# Prep Details - Series 100 - Cut Out For Letterplate



# Woolpile/Brushstrip/Tolerance Info

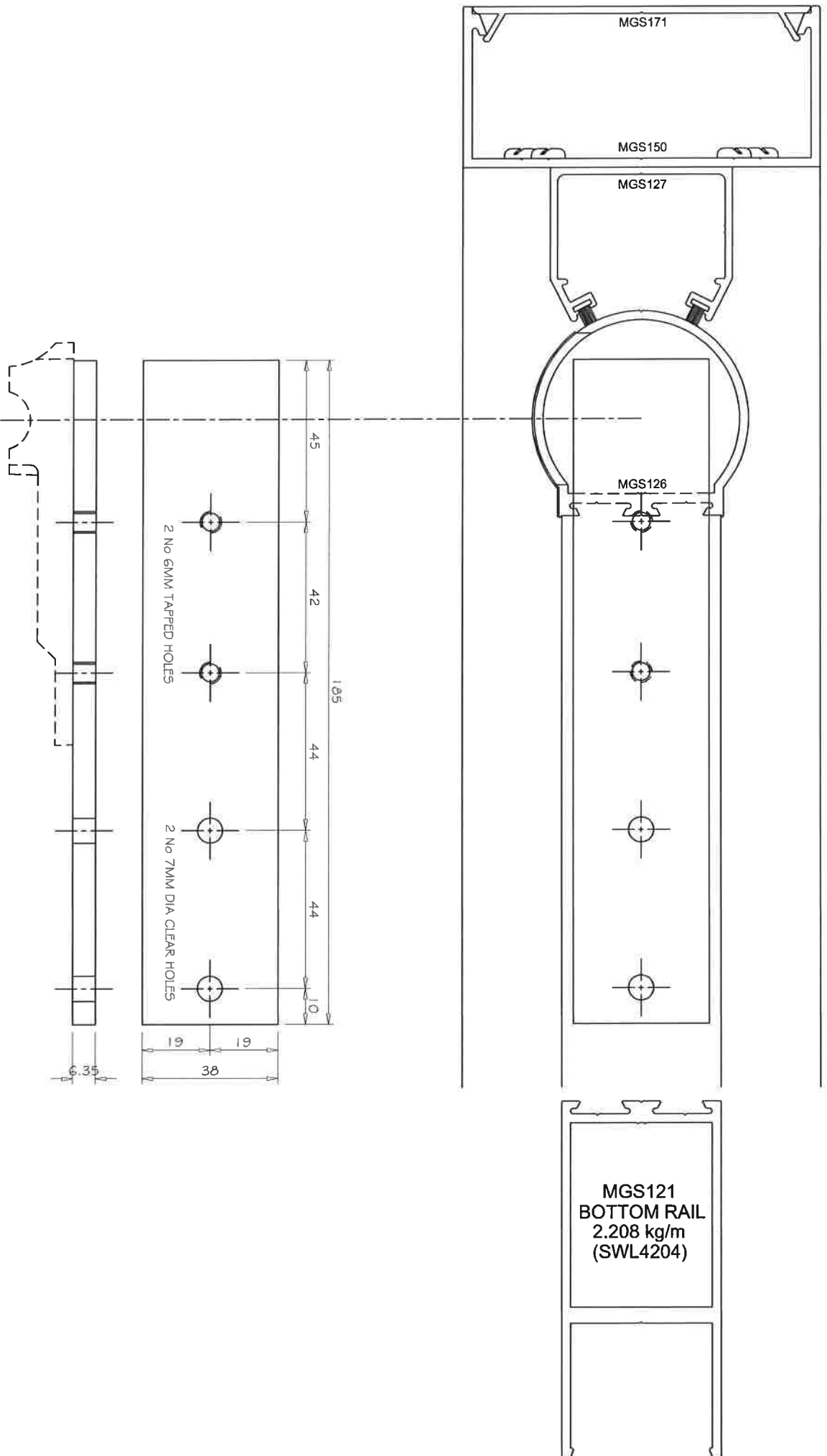


© This drawing sheet is issued subject to the condition that it is not to be reproduced without the consent of Midland Glass Solutions Ltd

Issue 01:- November 2015.

Page 8.11

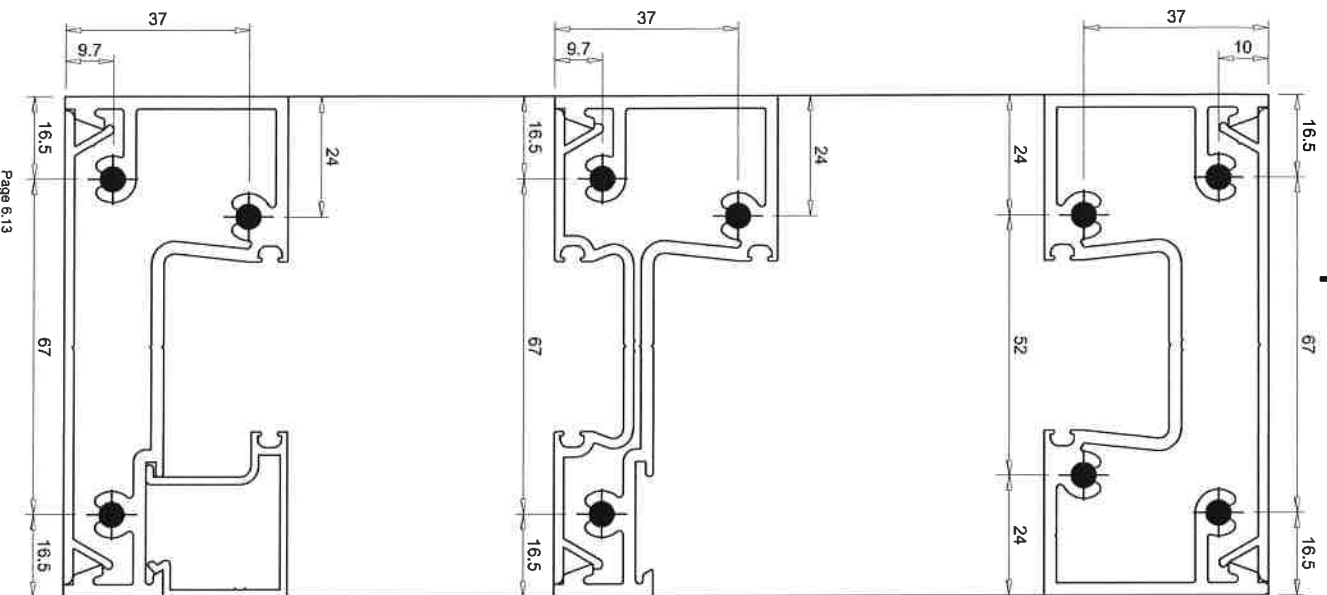
# Prep Details - Series 100 - Anti Finger Trap Stile Bottom Pivot Fixing Plate



## BOTTOM PIVOT FIXING PLATE

MATERIAL - ALUMINIUM

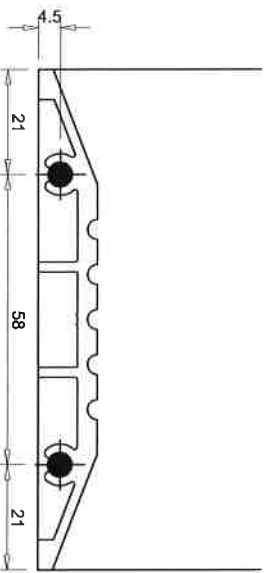
# Prep Details - Series 100 - Frame Drilling Info



Page 8.13

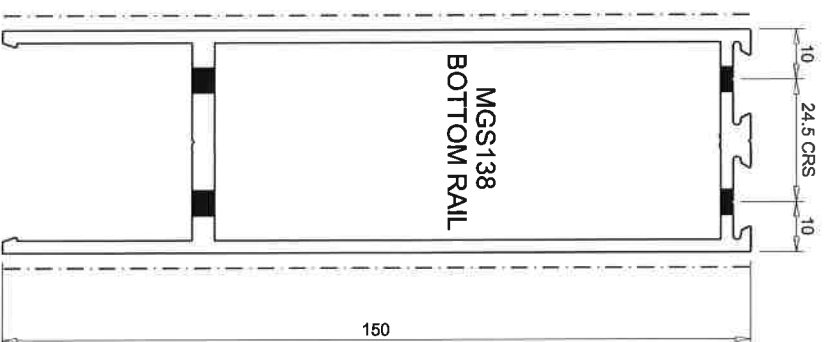
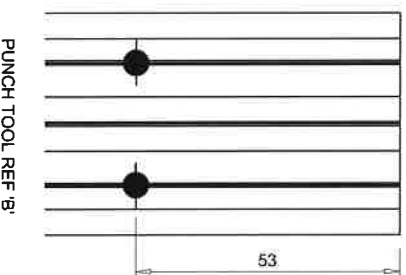
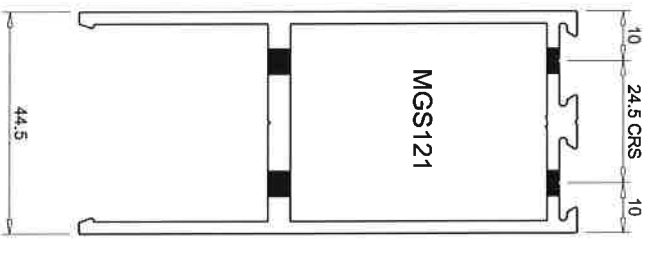
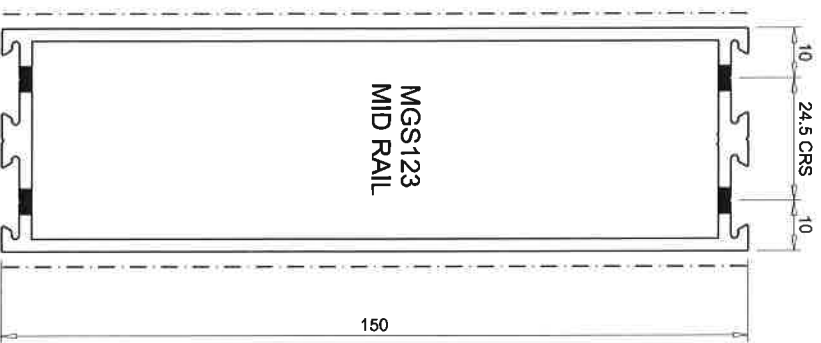
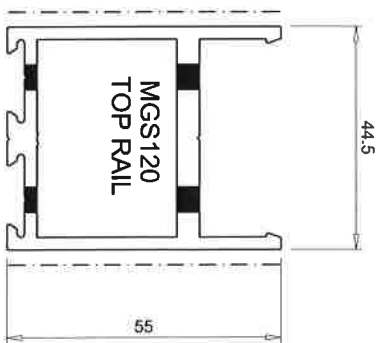
Issue 01:- November 2015.

© This drawing sheet is issued subject to the condition that it is not to be reproduced without the consent of Midland Glass Solutions Ltd

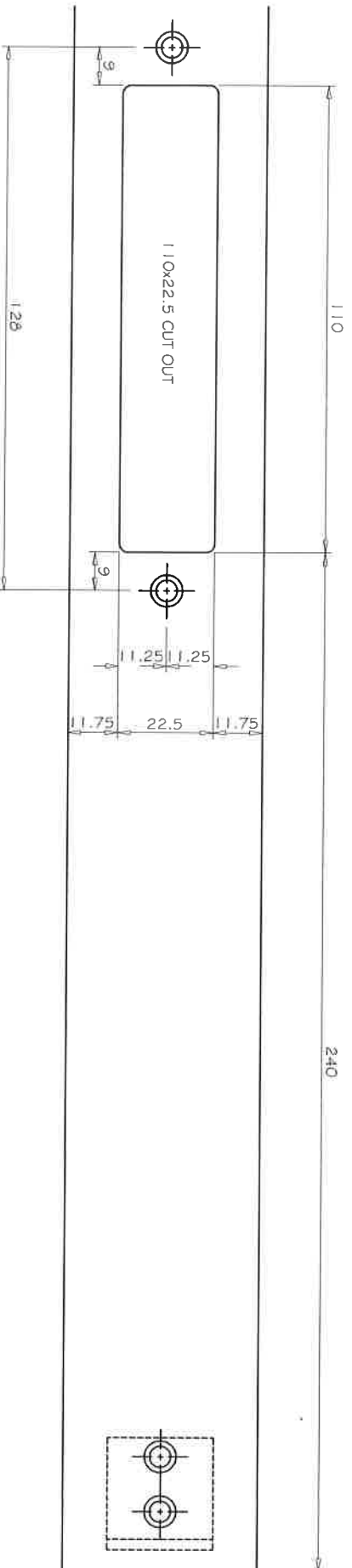
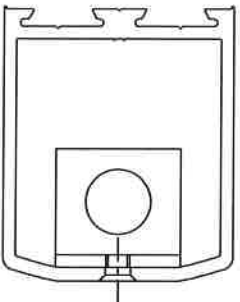
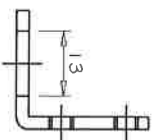


SCALE 1:1

# Prep Details - Series 100 - Door Cleat Hole Centres

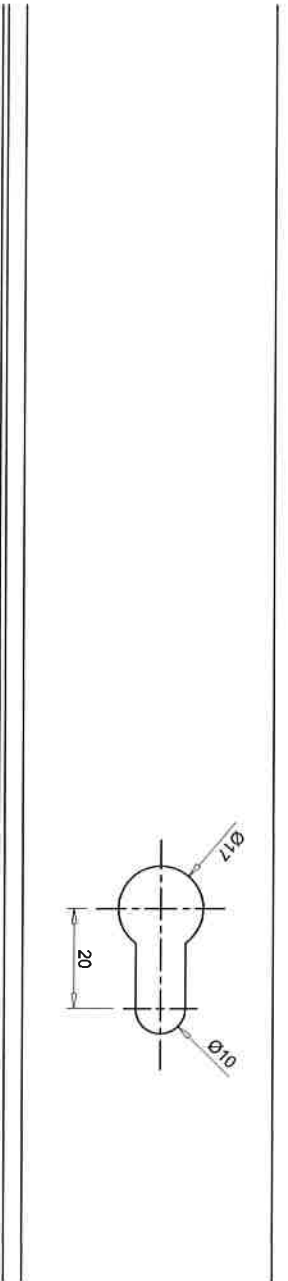
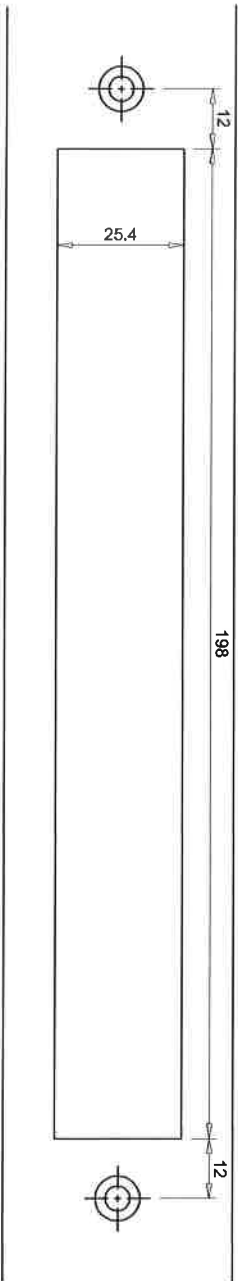
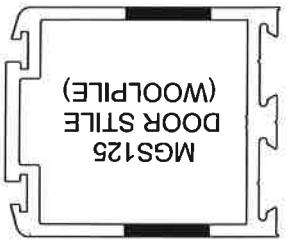
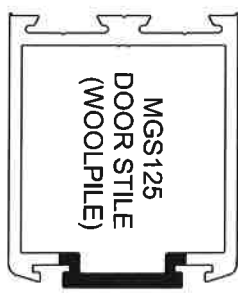


# Prep Details - Series 100 - Top and Bottom Flushbolt

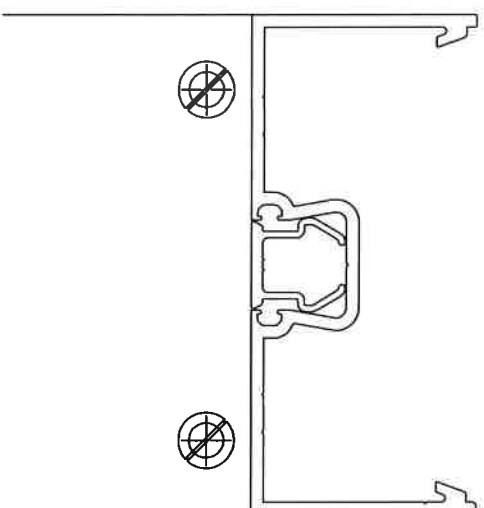
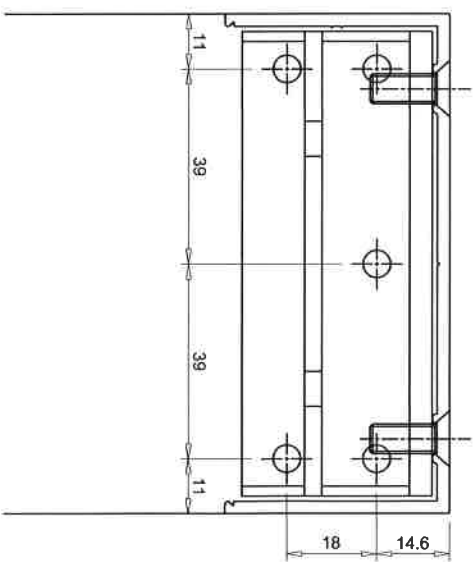
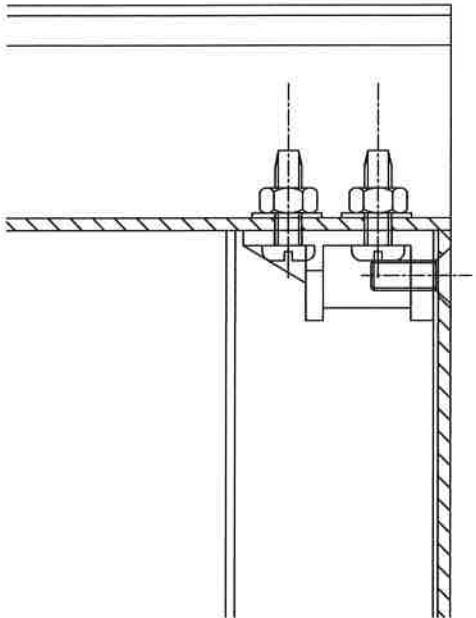




# Prep Details - Series 100 - Europrofile Hook Lock

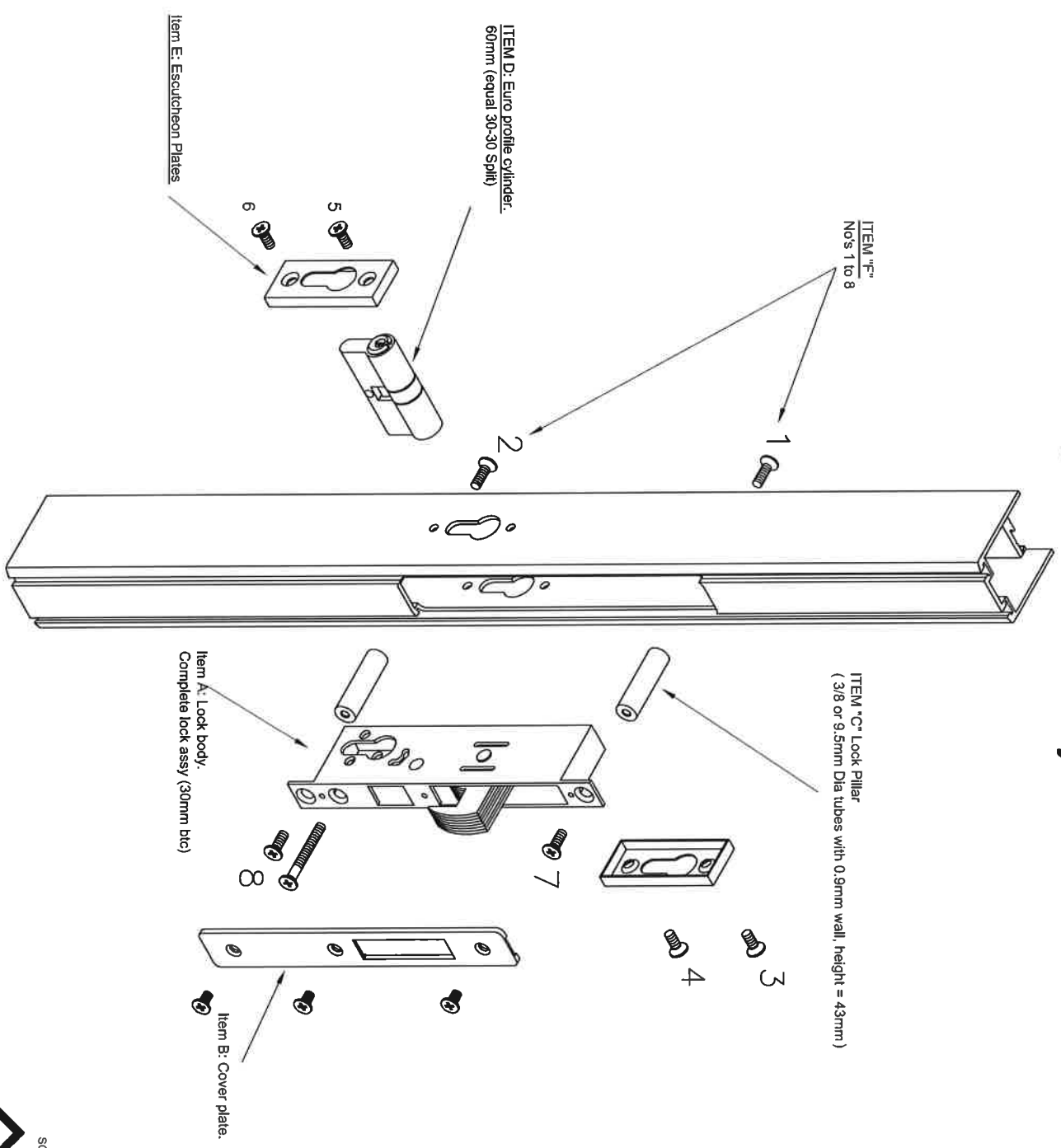
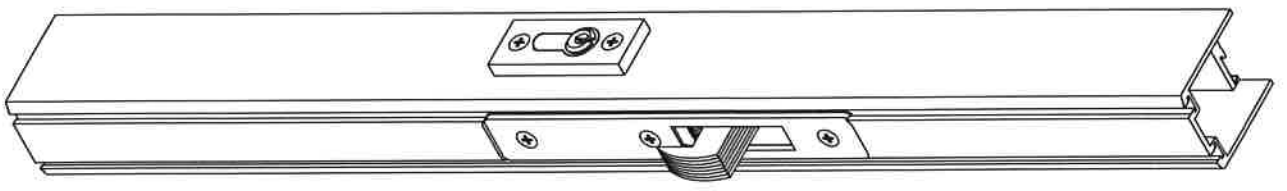


# Prep Details - Series 100 - Header Bar

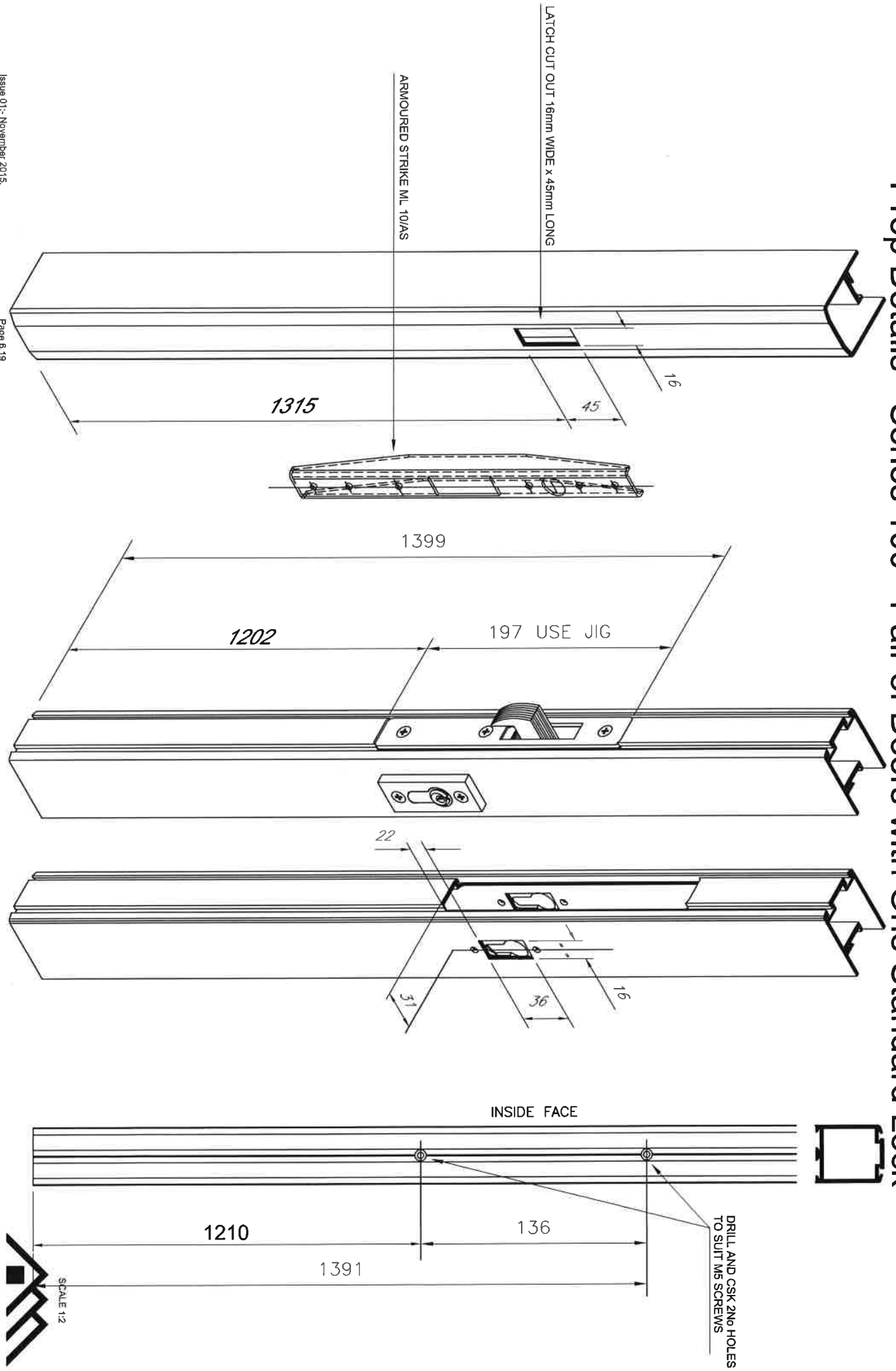


# Prep Details - Series 100 - Door Stile Lock Assembly and Parts List

Complete assembly consisting of:-  
 A: Lock body.  
 B: Cover plate.  
 C: Lock pillar.  
 D: Euro profile cylinder.  
 E: Escutcheon.  
 F: M5 Fixing screws.



# Prep Details - Series 100 - Pair of Doors with One Standard Lock

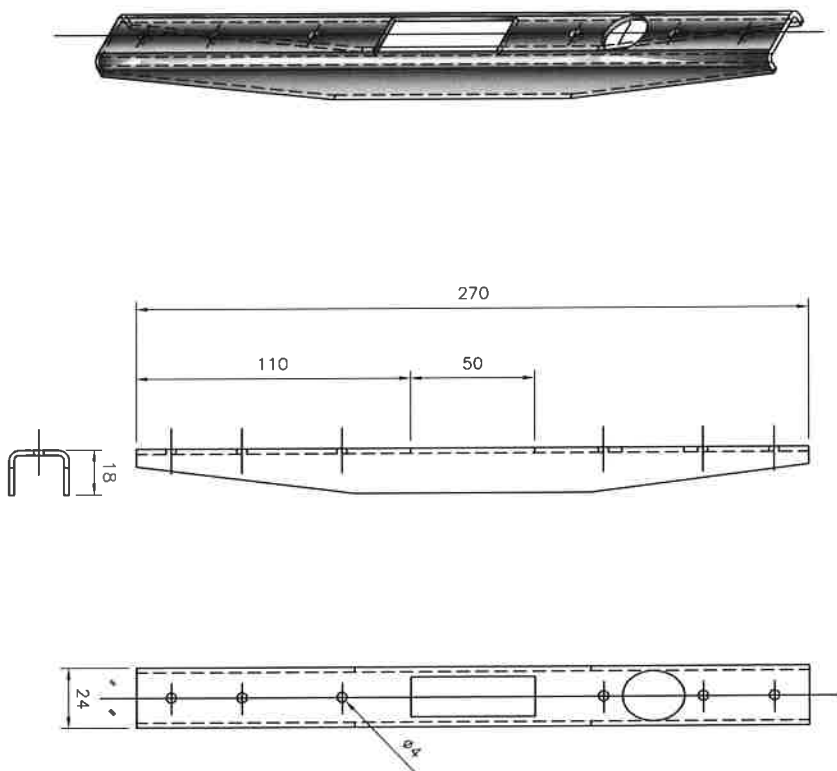


Issue 01:- November 2015.

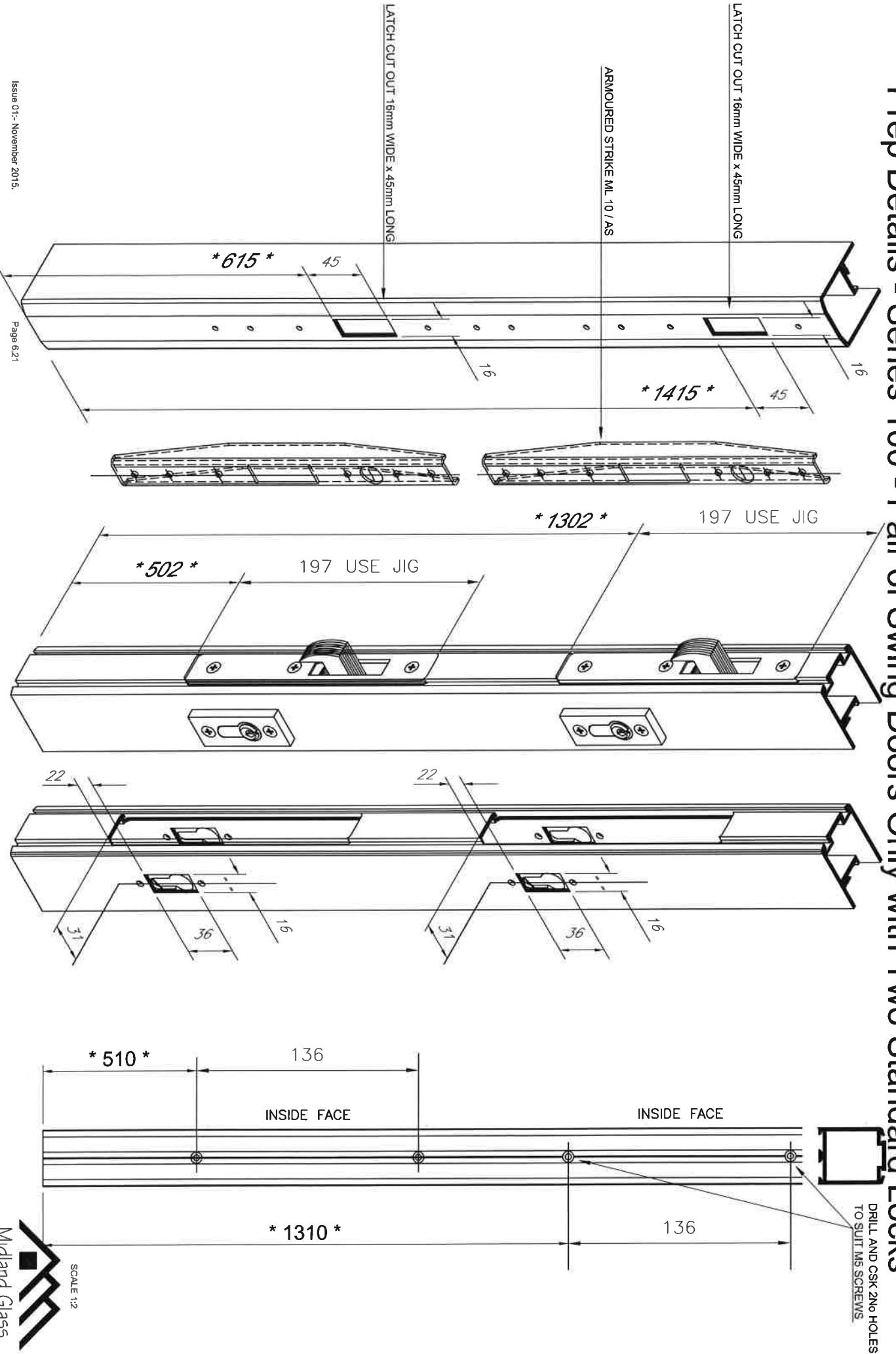
Page 6, 19

© This drawing sheet is issued subject to the condition that it is not to be reproduced without the consent of Midland Glass Solutions Ltd

# Prep Details - Series 100 - Armoured Strike



# Prep Details - Series 100 - Pair of Swing Doors Only with Two Standard Locks



# Prep Details - Series 100 - Tie Rod

